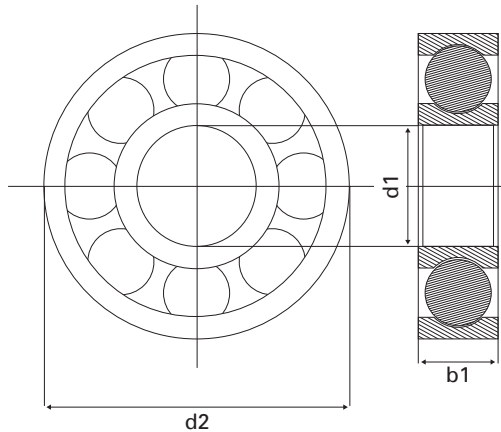


DIN-Tabelle Kugellager einreihig

Standard-Lieferprogramm

info@hakuparts.com



| Bezeichnung (DIN 625) | HAKU- Artikel-Nr. | Außen-Ø in mm | Innen-Ø in mm | Breite in mm | Material | | | Tragfähigkeit | | Max. Drehzahl |
|--------------------------|----------------------|------------------|------------------|-----------------|----------|-------|--------|---------------|----------|---------------|
| | | | | | Ring | Käfig | Kugeln | stat N | dyn N | n U/min. |
| 607 | 21-0434 | 19 | 7 | 6 | POM | PA | 1.4401 | 50 | 70 | 2600 |
| 607 | 21-0001 | 19 | 7 | 6 | POM | PA | Glas | 50 | 70 | 2600 |
| 608 | 21-0041 | 22 | 8 | 7 | POM | PA | 1.4401 | 55 | 80 | 2200 |
| 608 | 21-0002 | 22 | 8 | 7 | POM | PA | Glas | 55 | 80 | 2200 |
| 609 | 21-0435 | 24 | 9 | 7 | POM | PA | 1.4401 | 60 | 90 | 2050 |
| 609 | 21-0003 | 24 | 9 | 7 | POM | PA | Glas | 60 | 90 | 2050 |
| 624 | 21-2408 | 13 | 4 | 5 | POM | PA | 1.4401 | 40 | 60 | 3600 |
| 624 | 21-0551 | 13 | 4 | 5 | POM | PA | Glas | 40 | 60 | 3600 |
| 625 | 21-0056 | 16 | 5 | 5 | POM | PA | 1.4401 | 45 | 65 | 3050 |
| 625 | 21-0004 | 16 | 5 | 5 | POM | PA | Glas | 45 | 65 | 3050 |
| 626 | 21-0052 | 19 | 6 | 6 | POM | PA | 1.4401 | 50 | 70 | 2600 |
| 626 | 21-0005 | 19 | 6 | 6 | POM | PA | Glas | 50 | 70 | 2600 |
| 627 | 21-0436 | 22 | 7 | 7 | POM | PA | 1.4401 | 55 | 80 | 2200 |
| 627 | 21-0006 | 22 | 7 | 7 | POM | PA | Glas | 55 | 80 | 2200 |
| 628 | 21-0181 | 24 | 8 | 8 | POM | PA | Glas | 55 | 80 | 2200 |
| 628 | 21-0437 | 24 | 8 | 8 | POM | PA | 1.4401 | 55 | 80 | 2200 |
| 629 | 21-0438 | 26 | 9 | 8 | POM | PA | 1.4401 | 70 | 100 | 1900 |
| 629 | 21-0007 | 26 | 9 | 8 | POM | PA | Glas | 70 | 100 | 1900 |
| 634 | 21-0427 | 16 | 4 | 5 | POM | PA | Glas | 45 | 65 | 3050 |
| 634 | 21-0428 | 16 | 4 | 5 | POM | PA | 1.4401 | 45 | 65 | 3050 |
| 6000 | 21-0042 | 26 | 10 | 8 | POM | PA | 1.4401 | 90 | 130 | 1900 |
| 6000 | 21-0013 | 26 | 10 | 8 | POM | PA | Glas | 90 | 130 | 1900 |
| 6001 | 21-0083 | 28 | 12 | 8 | POM | PA | 1.4401 | 110 | 160 | 1750 |
| 6001 | 21-0014 | 28 | 12 | 8 | POM | PA | Glas | 110 | 160 | 1750 |
| 6002 | 21-0154 | 32 | 15 | 9 | POM | PA | 1.4401 | 140 | 200 | 1500 |
| 6002 | 21-0015 | 32 | 15 | 9 | POM | PA | Glas | 140 | 200 | 1500 |
| 6003 | 21-0226 | 35 | 17 | 10 | POM | PA | 1.4401 | 170 | 260 | 1400 |
| 6003 | 21-0016 | 35 | 17 | 10 | POM | PA | Glas | 170 | 260 | 1400 |
| 6004 | 21-0055 | 42 | 20 | 12 | POM | PA | 1.4401 | 200 | 300 | 1150 |
| 6004 | 21-0017 | 42 | 20 | 12 | POM | PA | Glas | 200 | 300 | 1150 |
| 6005 | 21-0057 | 47 | 25 | 12 | POM | PA | 1.4401 | 240 | 360 | 1050 |
| 6005 | 21-0018 | 47 | 25 | 12 | POM | PA | Glas | 240 | 360 | 1050 |
| 6006 | 21-0201 | 55 | 30 | 13 | POM | PA | 1.4401 | 280 | 420 | 900 |
| 6006 | 21-0019 | 55 | 30 | 13 | POM | PA | Glas | 280 | 420 | 900 |
| 6007 | 21-0192 | 62 | 35 | 14 | POM | PA | 1.4401 | 320 | 480 | 800 |
| 6007 | 21-0064 | 62 | 35 | 14 | POM | PA | Glas | 320 | 480 | 800 |
| 6008 | 21-0447 | 68 | 40 | 15 | POM | PA | 1.4401 | 350 | 520 | 750 |
| 6008 | 21-0222 | 68 | 40 | 15 | POM | PA | Glas | 350 | 520 | 750 |

HAKU Fertigungstechnik GmbH & Co. KG

Hegelstraße 13
33790 Halle Westfalen

Telefon +49 (0)5201 663 880
Fax +49 (0)5201 663 889

hakuparts.com

DIN-Tabelle Kugellager einreihig

Standard-Lieferprogramm

info@hakuparts.com

| Bezeichnung (DIN 625) | HAKU- Artikel-Nr. | Außen-Ø in mm | Innen-Ø in mm | Breite in mm | Material | | | Tragfähigkeit | | Max. Drehzahl |
|--------------------------|----------------------|------------------|------------------|-----------------|----------|-------|--------|---------------|----------|---------------|
| | | | | | Ring | Käfig | Kugeln | stat N | dyn N | n U/min. |
| 6009 | 21-0446 | 75 | 45 | 16 | POM | PA | 1.4401 | 380 | 560 | 650 |
| 6009 | 21-0117 | 75 | 45 | 16 | POM | PA | Glas | 380 | 560 | 650 |
| 6010 | 21-0124 | 80 | 50 | 16 | POM | PA | 1.4401 | 390 | 580 | 600 |
| 6010 | 21-0448 | 80 | 50 | 16 | POM | PA | Glas | 390 | 580 | 600 |
| 6200 | 21-0159 | 30 | 10 | 9 | POM | PA | 1.4401 | 110 | 160 | 1650 |
| 6200 | 21-0020 | 30 | 10 | 9 | POM | PA | Glas | 110 | 160 | 1650 |
| 6201 | 21-0141 | 32 | 12 | 10 | POM | PA | 1.4401 | 150 | 220 | 1550 |
| 6201 | 21-0021 | 32 | 12 | 10 | POM | PA | Glas | 150 | 220 | 1550 |
| 6202 | 21-0043 | 35 | 15 | 11 | POM | PA | 1.4401 | 170 | 250 | 1400 |
| 6202 | 21-0022 | 35 | 15 | 11 | POM | PA | Glas | 170 | 250 | 1400 |
| 6203 | 21-0455 | 40 | 17 | 12 | POM | PA | 1.4401 | 220 | 320 | 1250 |
| 6203 | 21-0023 | 40 | 17 | 12 | POM | PA | Glas | 220 | 320 | 1250 |
| 6204 | 21-0044 | 47 | 20 | 14 | POM | PA | 1.4401 | 270 | 420 | 1050 |
| 6204 | 21-0024 | 47 | 20 | 14 | POM | PA | Glas | 270 | 420 | 1050 |
| 6205 | 21-0155 | 52 | 25 | 15 | POM | PA | 1.4401 | 320 | 480 | 950 |
| 6205 | 21-0025 | 52 | 25 | 15 | POM | PA | Glas | 320 | 480 | 950 |
| 6206 | 21-0199 | 62 | 30 | 16 | POM | PA | 1.4401 | 360 | 550 | 800 |
| 6206 | 21-0109 | 62 | 30 | 16 | POM | PA | Glas | 360 | 550 | 800 |
| 6207 | 21-0456 | 72 | 35 | 17 | POM | PA | 1.4401 | 410 | 620 | 700 |
| 6207 | 21-0174 | 72 | 35 | 17 | POM | PA | Glas | 410 | 620 | 700 |
| 6208 | 21-3729 | 80 | 40 | 18 | POM | PA | 1.4401 | 440 | 660 | 625 |
| 6208 | 21-3233 | 80 | 40 | 18 | POM | PA | Glas | 440 | 660 | 625 |
| 6209 | 21-2562 | 85 | 45 | 19 | POM | PA | 1.4401 | 470 | 720 | 580 |
| 6209 | 21-0220 | 85 | 45 | 19 | POM | PA | Glas | 470 | 720 | 580 |
| 6210 | 21-3731 | 90 | 50 | 20 | POM | PA | 1.4401 | 540 | 770 | 550 |
| 6210 | 21-1929 | 90 | 50 | 20 | POM | PA | Glas | 540 | 770 | 550 |
| 6300 | 21-0475 | 35 | 10 | 11 | POM | PA | 1.4401 | 190 | 280 | 1400 |
| 6300 | 21-0026 | 35 | 10 | 11 | POM | PA | Glas | 190 | 280 | 1400 |
| 6301 | 21-0216 | 37 | 12 | 12 | POM | PA | 1.4401 | 210 | 310 | 1300 |
| 6301 | 21-0027 | 37 | 12 | 12 | POM | PA | Glas | 210 | 310 | 1300 |
| 6302 | 21-0101 | 42 | 15 | 13 | POM | PA | 1.4401 | 260 | 370 | 1200 |
| 6302 | 21-0028 | 42 | 15 | 13 | POM | PA | Glas | 260 | 370 | 1200 |
| 6303 | 21-0338 | 47 | 17 | 14 | POM | PA | 1.4401 | 260 | 370 | 1050 |
| 6303 | 21-0029 | 47 | 17 | 14 | POM | PA | Glas | 260 | 370 | 1050 |
| 6304 | 21-0389 | 52 | 20 | 15 | POM | PA | 1.4401 | 350 | 500 | 950 |
| 6304 | 21-0030 | 52 | 20 | 15 | POM | PA | Glas | 350 | 500 | 950 |
| 6305 | 21-0193 | 62 | 25 | 17 | POM | PA | 1.4401 | 400 | 600 | 725 |
| 6305 | 21-0135 | 62 | 25 | 17 | POM | PA | Glas | 400 | 600 | 725 |
| 6306 | 21-0477 | 72 | 30 | 19 | POM | PA | 1.4401 | 460 | 700 | 675 |
| 6306 | 21-0165 | 72 | 30 | 19 | POM | PA | Glas | 460 | 700 | 675 |
| 6307 | 21-3727 | 80 | 35 | 21 | POM | PA | 1.4401 | 490 | 750 | 600 |
| 6307 | 21-2528 | 80 | 35 | 21 | POM | PA | Glas | 490 | 750 | 600 |
| 6308 | 21-3730 | 90 | 40 | 23 | POM | PA | 1.4401 | 520 | 800 | 575 |
| 6308 | 21-3234 | 90 | 40 | 23 | POM | PA | Glas | 520 | 800 | 575 |
| 6309 | 21-0483 | 100 | 45 | 25 | POM | PA | 1.4401 | 540 | 900 | 500 |
| 6309 | 21-0482 | 100 | 45 | 25 | POM | PA | Glas | 540 | 900 | 500 |
| 16002 | 21-0071 | 32 | 15 | 8 | POM | PA | 1.4401 | 130 | 190 | 1500 |
| 16002 | 21-0008 | 32 | 15 | 8 | POM | PA | Glas | 130 | 190 | 1500 |
| 16003 | 21-0094 | 35 | 17 | 8 | POM | PA | 1.4401 | 160 | 240 | 1400 |
| 16003 | 21-0009 | 35 | 17 | 8 | POM | PA | Glas | 160 | 240 | 1400 |

HAKU Fertigungstechnik GmbH & Co. KG

Hegelstraße 13
33790 Halle Westfalen

Telefon +49 (0)5201 663 880
Fax +49 (0)5201 663 889

hakuparts.com

DIN-Tabelle Kugellager einreihig

Standard-Lieferprogramm

info@hakuparts.com

| Bezeichnung (DIN 625) | HAKU- Artikel-Nr. | Außen-Ø in mm | Innen-Ø in mm | Breite in mm | Material | | | Tragfähigkeit | | Max. Drehzahl |
|--------------------------|----------------------|------------------|------------------|-----------------|----------|-------|--------|---------------|----------|---------------|
| | | | | | Ring | Käfig | Kugeln | stat N | dyn N | n U/min. |
| 16004 | 21-0045 | 42 | 20 | 8 | POM | PA | 1.4401 | 190 | 290 | 1150 |
| 16004 | 21-0010 | 42 | 20 | 8 | POM | PA | Glas | 190 | 290 | 1150 |
| 16005 | 21-0439 | 47 | 25 | 8 | POM | PA | 1.4401 | 210 | 310 | 1050 |
| 16005 | 21-0011 | 47 | 25 | 8 | POM | PA | Glas | 210 | 310 | 1050 |
| 16006 | 21-0440 | 55 | 30 | 9 | POM | PA | 1.4401 | 240 | 370 | 900 |
| 16006 | 21-0012 | 55 | 30 | 9 | POM | PA | Glas | 240 | 370 | 900 |
| 16007 | 21-3726 | 62 | 35 | 9 | POM | PA | 1.4401 | 270 | 410 | 800 |
| 16007 | 21-3732 | 62 | 35 | 9 | POM | PA | Glas | 270 | 410 | 800 |
| 16008 | 21-3728 | 68 | 40 | 9 | POM | PA | 1.4401 | 300 | 450 | 750 |
| 16008 | 21-3443 | 68 | 40 | 9 | POM | PA | Glas | 300 | 450 | 750 |
| 61800 | 21-0441 | 19 | 10 | 5 | POM | PA | Glas | | | |
| 61800 | 21-0442 | 19 | 10 | 5 | POM | PA | 1.4401 | | | |
| 61804 | 21-0237 | 32 | 20 | 7 | POM | PA | Glas | | | |
| 61804 | 21-0443 | 32 | 20 | 7 | POM | PA | 1.4401 | | | |
| 61810 | 21-0444 | 65 | 50 | 7 | POM | PA | Glas | | | |
| 61810 | 21-0445 | 65 | 50 | 7 | POM | PA | 1.4401 | | | |
| 61902 | 21-0146 | 28 | 15 | 7 | POM | PA | Glas | | | |
| 61902 | 21-0236 | 28 | 15 | 7 | POM | PA | 1.4401 | | | |